

# DVP-EH2

## INSTRUCTION SHEET

### 安裝說明 安装说明

- ▲ *High-Speed, Multi-Functional Programmable Logic Controller*
- ▲ 高速·多功能可程式控制器
- ▲ 高速·多功能可編程控制器



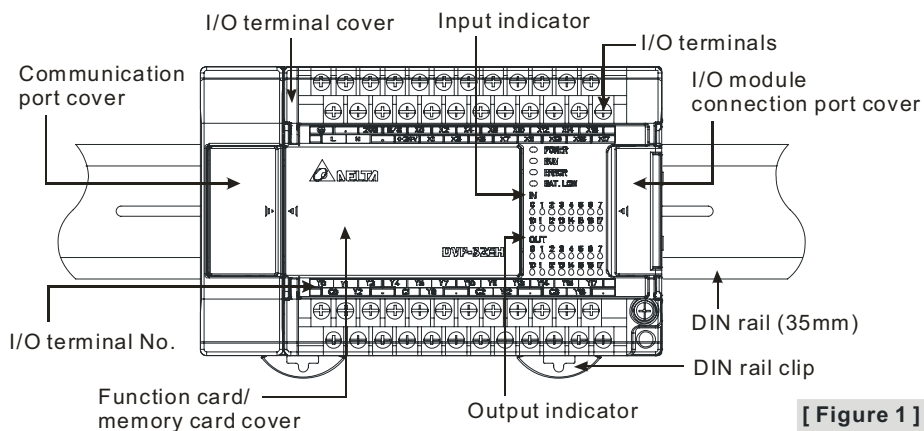
<http://www.delta.com.tw/industrialautomation>

DVP-1070030-02

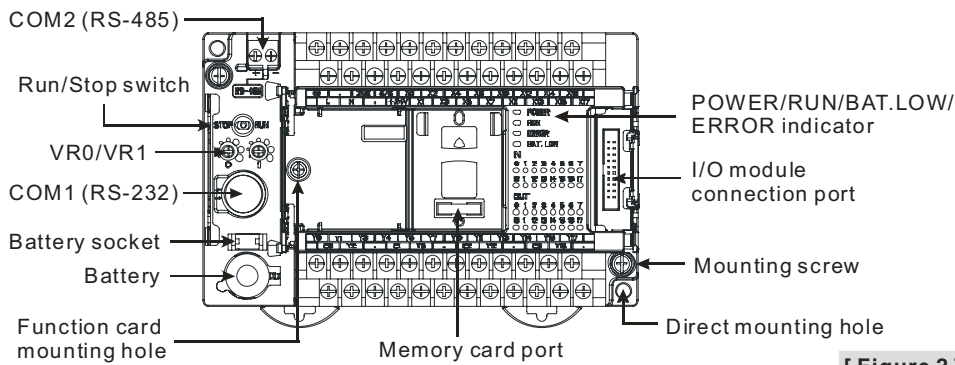
ENGLISH

- ✘ This Instruction Sheet only provides descriptions for electrical specifications, general specifications, installation & wiring. Other detail information about programming and instructions, please see “DVP-PLC Application Manual: Programming”. For more information about the optional peripherals, please see individual product instruction sheet or “DVP-PLC Application Manual: Special I/O Modules”.
- ✘ DVP-EH2 is an OPEN TYPE device and therefore should be installed in an enclosure free of airborne dust, humidity, electric shock and vibration. The enclosure should prevent non-maintenance staff from operating the device (e.g. key or specific tools are required for operating the enclosure) in case danger and damage on the device may occur.
- ✘ Do NOT connect the AC main circuit power supply to any of the input/output terminals, or it may damage the PLC. Check all the wiring prior to power up. To prevent any electromagnetic noise, make sure the PLC is properly grounded  $\oplus$ . Do NOT touch terminals when power on.

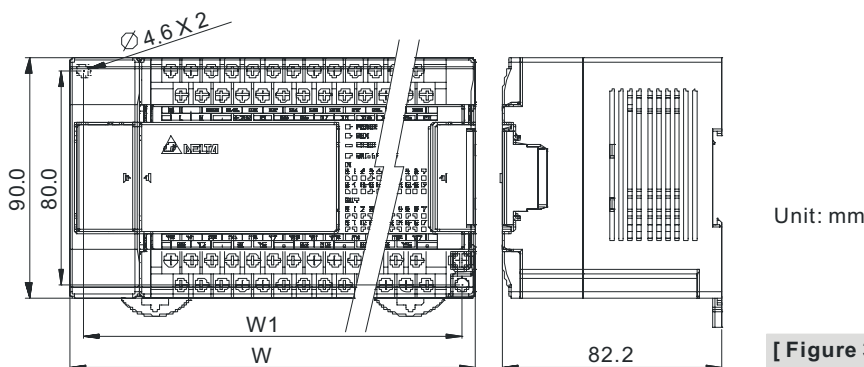
### Product Profile & Dimension



[ Figure 1 ]



[ Figure 2 ]



[ Figure 3 ]

Model name	16EH00 R2/T2	20EH00 R2/T2	32EH00 R2/T2/M2	40EH00 R2/T2	48EH00 R2/T2	60EH00 T2	64EH00 R2/T2	80EH00 R2/T2
W	113	113	143.5	158.8	174	212	212	276
W1	103	103	133.5	153.8	164	202	202	266

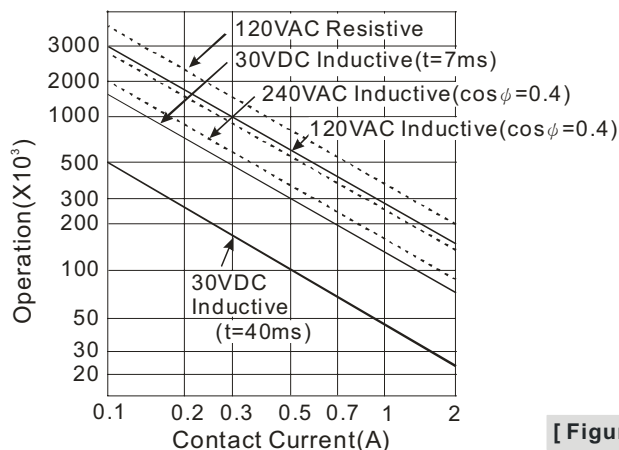
## ■ Electrical Specifications

Model Item	16EH 00□2	20EH 00□2	32EH 00□2	32EH 00M2	40EH 00□2	48EH 00□2	60EH 00□2	64EH 00□2	80EH 00□2
Power supply voltage	100 ~ 240VAC (-15% ~ 10%); 50/60Hz ± 5%								
Fuse capacity	2A/250VAC								
Power consumption	50VA		60VA				80VA		
DC24V current output	500mA								
Power supply protection	DC24V output short circuit protection								
Voltage withstand	1,500VAC (Primary-secondary), 1,500VAC (Primary-PE), 500VAC (Secondary-PE)								
Insulation resistance	> 5MΩ at 500VDC (between all I/O points and ground)								
Noise immunity	ESD: 8KV Air Discharge EFT: Power Line: 2KV, Digital I/O: 1KV, Analog & Communication I/O: 250V Damped-Oscillatory Wave: Power Line: 1KV, Digital I/O: 1KV, RS: 26MHz ~ 1GHz, 10V/m								
Grounding	The diameter of grounding wire shall not be less than that of L, N terminal of the power supply. (When many PLCs are in use at the same time, please make sure every PLC is properly grounded.)								
Operation/ storage	Operation: 0°C~55°C (temperature), 50~95% (humidity), pollution degree 2 Storage: -25°C~70°C (temperature), 5~95% (humidity)								
Vibration/shock resistance	International standards: IEC61131-2, IEC 68-2-6 (TEST Fc)/ IEC61131-2 & IEC 68-2-27 (TEST Ea)								
Weight (g)	R: 500 T: 480	R: 520 T: 500	R: 652 T: 612	644	R: 710 T: 675	R: 748 T: 688	742	R: 836 T: 756	R: 948 T: 848

Input Point					
Items	Spec.	Two Differential inputs (200kHz)	24VDC single common port input		
			200kHz	20kHz	10kHz
Input wiring type		Independent wiring	Change wiring from S/S to SINK or SOURCE		
Input indicator		LED display; light on = ON, light off = OFF			
Input voltage (± 10%)		5~24VDC	24VDC		
Input point configuration		#1	#2	#3	#4
Input impedance		4.7K Ohm	4.7K Ohm	3.3K Ohm	4.7K Ohm
Active Level	Off → On	> 1mA (5V)	> 4mA (16.5V)	> 6mA (18.5V)	> 4mA (16.5V)
	On → Off	< 0.4mA (2V)	< 1.5mA (8V)	< 2.2mA (8V)	< 1.5mA (8V)
Response time <sup>#5</sup>	Off → On	< 150ns	< 150ns	< 3.5μs	< 8μs
	On → Off	< 3μs	< 3μs	< 20μs	< 60μs
<p>#1: The frequency of differential input points X0, X1, X4, and X5 on DVP32EH00M2 is 200kHz.</p> <p>#2: The frequency of input points X0, X1, X4, and X5 is 200kHz. The frequency of input points X10, X11, X14 and X15 on DVP40/60EH2 is 200kHz.</p> <p>#3: The bandwidth of input points X10, X11, X14, and X15 is 20kHz (except for input points on DVP40/60EH2).</p> <p>#4: The bandwidth of the input points other than the high-speed input points listed above is 10kHz.</p> <p>#5: Input points X0 ~ X7 and X10 ~ X17 can conduct 10 ~ 60ms digital filter adjustment.</p>					

Output Point					
Items	Spec.	Two differential outputs #1	Single common port transistor output		Single common port relay output
			Low speed	High speed #2	
Max. frequency		200kHz	10kHz	200kHz	Load ON/OFF control
Output indicator		LED display; light on = ON, light off = OFF			
Minimum load		-			2mA/DC power
Working voltage		5VDC	5 ~ 30VDC		< 250VAC, 30VDC
Insulation		Line Driver	Photo coupler isolation		Magnetic isolation
Maximum load	Resistive	< 25mA	0.5A/1 point (4A/COM)		2A/1 point (5A/COM)
	Inductive	-	12W (24VDC)		#3
	Lamp	-	2W(24VDC)		20WDC/100WAC
Max. output response time		0.2μs	Off→On: 20μs On→Off: 30μs	0.2μs	10ms
Over-current protection		N/A			

#1: DVP32EH00M2 support two differential outputs (Y0~Y3).  
 #2: DVP20/32EH2 support high-speed output points (Y0, Y2); DVP40EH2 supports high-speed output points (Y0~ Y3, Y4, Y6); DVP60EH2 supports high-speed output points (Y0~Y3). Other DVP-EH2 models support only low-speed output.  
 #3: Life curves

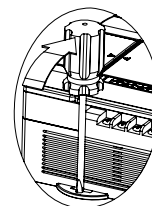
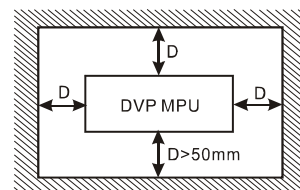


[ Figure 4 ]

## ■ Installation

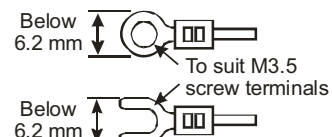
Please install the PLC in an enclosure with sufficient space around it to allow heat dissipation, as shown in the figure.

- **Direct Mounting:** Please use M4 screw according to the dimension of the product.
- **DIN Rail Mounting:** When mounting the PLC to 35mm DIN rail, be sure to use the retaining clip to stop any side-to-side movement of the PLC and reduce the chance of wires being loose. The retaining clip is at the bottom of the PLC. To secure the PLC to DIN rail, pull down the clip, place it onto the rail and gently push it up. To remove the PLC, pull the retaining clip down with a flat screwdriver and gently remove the PLC from DIN rail, as shown in the figure.



## ■ Wiring

1. Use O-type or Y-type terminal. See the figure in the right hand side for its specification. PLC terminal screws should be tightened to 9.50 kg-cm (8.25 in-lbs)



and please use only 60/75°C copper conductor.

2. DO NOT wire empty terminal. DO NOT place the input signal cable and output power cable in the same wiring circuit.
3. DO NOT drop tiny metallic conductor into the PLC while screwing and wiring. Tear off the sticker on the heat dissipation hole for preventing alien substances from dropping in, to ensure normal heat dissipation of the PLC.

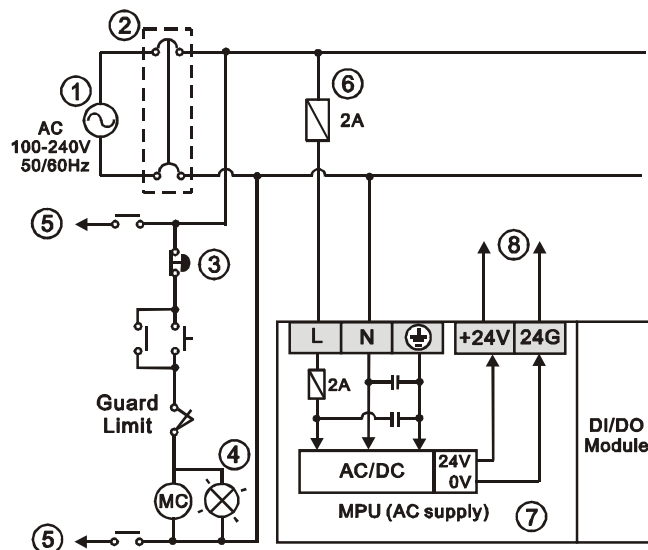
## ◆ Power Supply

The power input type for DVP-EH2 series is AC input. When operating the PLC, please note the following points:

1. The input voltage should be current and its range should be 100 ~ 240VAC. The power should be connected to L and N terminals. Wiring AC110V or AC220V to +24V terminal or input terminal will result in serious damage on the PLC.
2. The AC power input for PLC MPU and I/O modules should be ON or OFF at the same time.
3. Use wires of 1.6mm (or longer) for the grounding of PLC MPU. The power shutdown of less than 10 ms will not affect the operation of the PLC. However, power shutdown time that is too long or the drop of power voltage will stop the operation of the PLC and all outputs will go OFF. When the power returns to normal status, the PLC will automatically resume operation. (Care should be taken on the latched auxiliary relays and registers inside the PLC when programming).
4. The +24V output is rated at 0.5A from MPU. DO NOT connect other external power supplies to this terminal. Every input terminal requires 6 ~ 7mA to be driven; e.g. the 16-point input will require approximately 100mA. Therefore, +24V terminal cannot give output to the external load that is more than 400mA.

## ◆ Safety Wiring

In PLC control system, many devices are controlled at the same time and actions of any device could influence each other, i.e. breakdown of any device may cause the breakdown of the entire auto-control system and danger. Therefore, we suggest you wire a protection circuit at the power supply input terminal. See the figure below.



[ Figure 5 ]

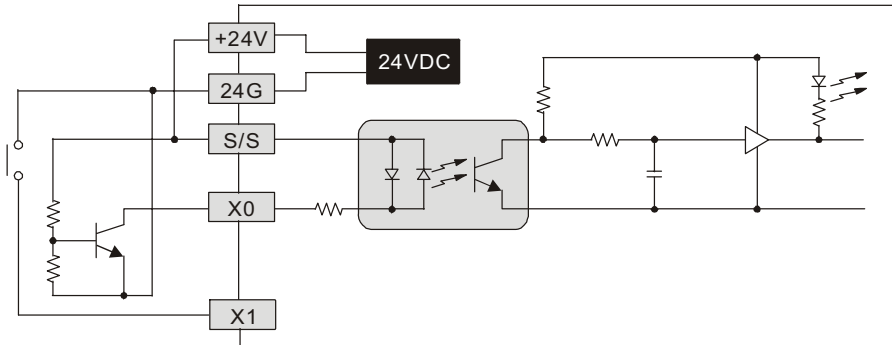
- |   |                                  |
|---|----------------------------------|
| ① AC power supply: 100 ~ 240VAC, 50/60Hz  | ② Breaker                        |
| ③ Emergency stop: This button cuts off the system power supply when accidental emergency takes place. |                                  |
| ④ Power indicator   | ⑤ AC power supply load           |
| ⑥ Power supply circuit protection fuse (2A)   | ⑦ DVP-PLC (main processing unit) |
| ⑧ DC power supply output: 24VDC, 500mA  |                                  |

### ◆ Input Point Wiring

There are 2 types of DC inputs, SINK and SOURCE. (See the example below. For detailed point configuration, please refer to the specification of each model.)

- DC Signal IN – SINK mode

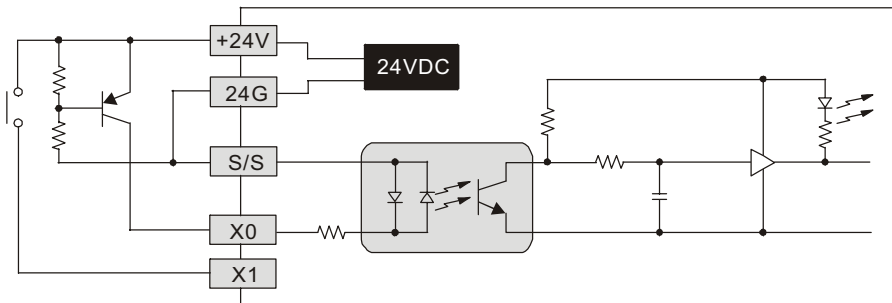
Input point loop equivalent circuit



[ Figure 6 ]

- DC Signal IN – SOURCE mode

Input point loop equivalent circuit

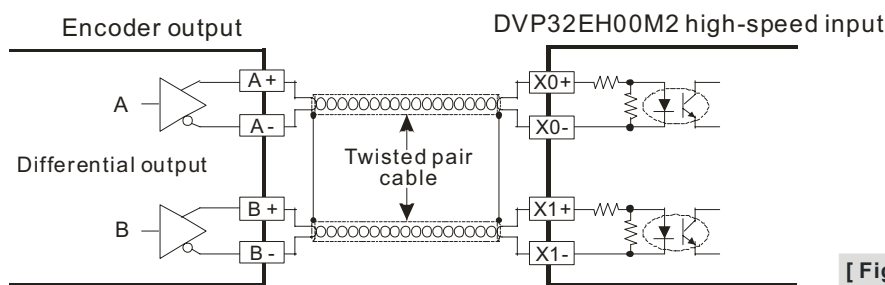


[ Figure 7 ]

### ◆ Wiring of Differential Input

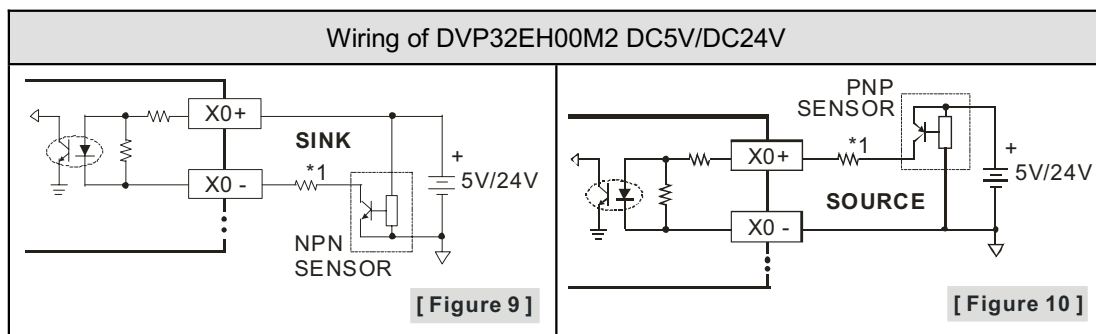
X0 ~ X1 and X4 ~ X5 of DVP32EH00M2 are all high-speed input circuit and others are DC24V input. The working frequency of high-speed input circuit can reach up to 200kHz and is mainly for connecting to differential (double-wire) LINE DRIVER output circuit.

- Wiring in a high-speed, high-noise environment



[ Figure 8 ]

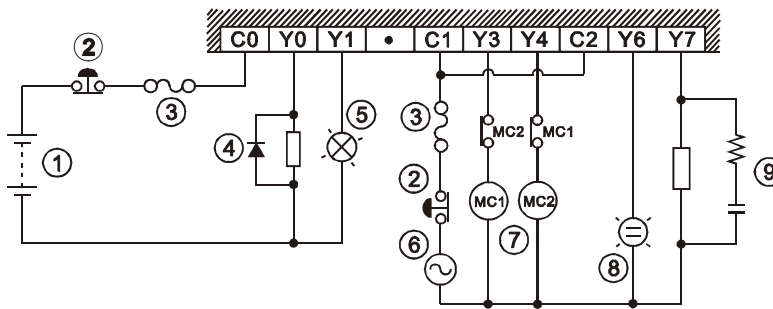
In an environment with low noise and frequency less than 50kHz, use DC5V/DC24V single-ended SINK/SOURCE input.



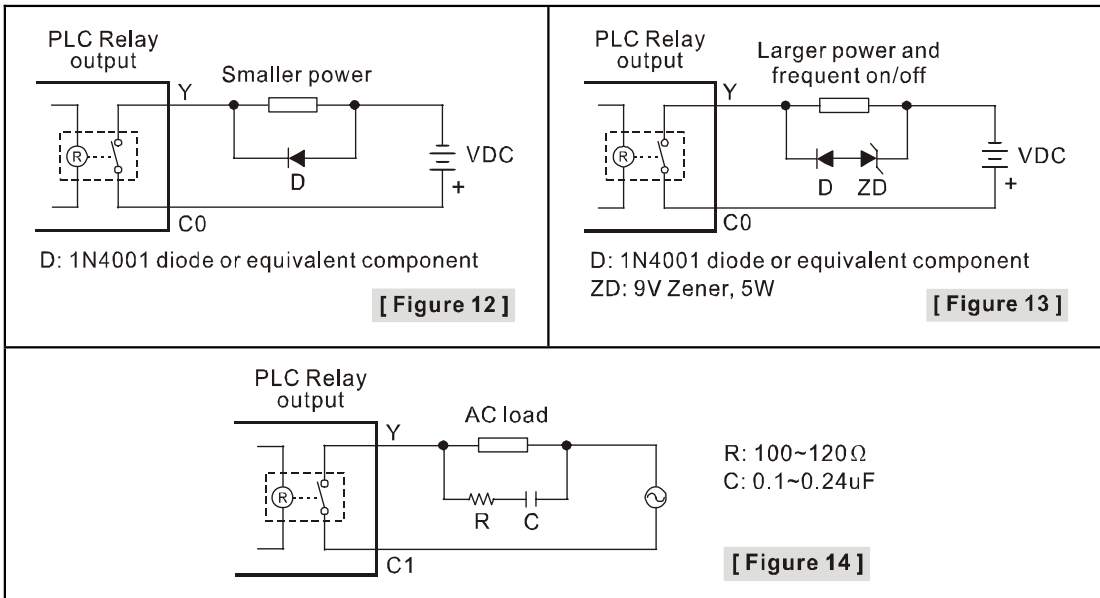
\*1: The resistance is for 24V wiring only, 2K Ohm / 0.5W.

## ◆ Output Point Wiring

### • Relay (R) output circuit wiring



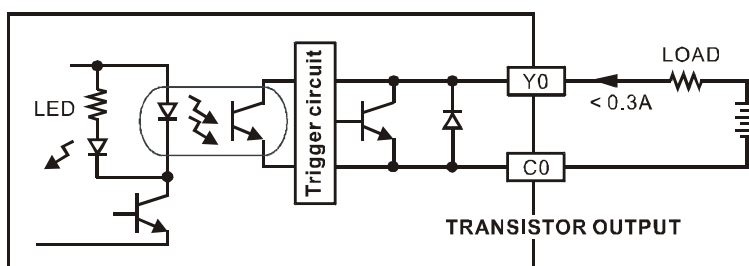
[ Figure 11 ]



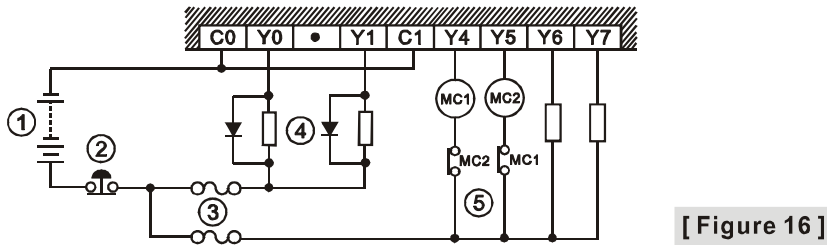
- ① DC power supply
- ② Emergency stop: Uses external switch
- ③ Fuse: Uses 5 ~ 10A fuse at the shared terminal of output contacts to protect the output circuit
- ④ Transient voltage suppressor: To extend the life span of contact.
  - 1. Diode suppression of DC load: Used when in smaller power (Figure 12)
  - 2. Diode + Zener suppression of DC load: Used when in larger power and frequent On/Off (Figure 13)
- ⑤ Incandescent light (resistive load)
- ⑥ AC power supply
- ⑦ Manually exclusive output: For example, Y3 and Y4 control the forward running and reverse running of the motor, forming an interlock for the external circuit, together with the PLC internal program, to ensure safe protection in case of any unexpected errors.
- ⑧ Neon indicator
- ⑨ Absorber: To reduce the interference on AC load (Figure 14)

### • Transistor (T) output circuit wiring

NPN type1: DVP16/20/32/48/64/80EH2

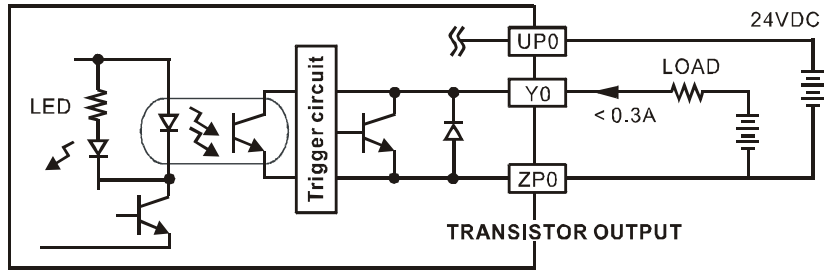


[ Figure 15 ]

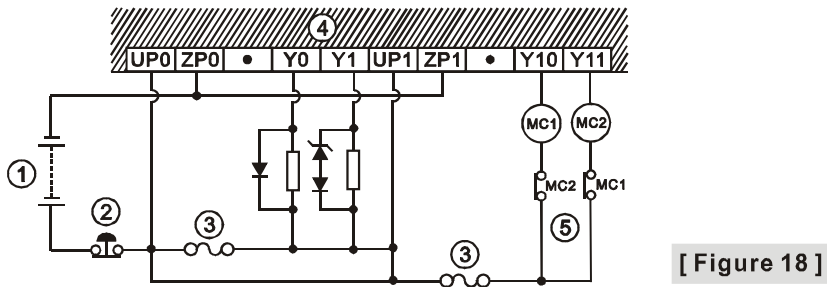


[ Figure 16 ]

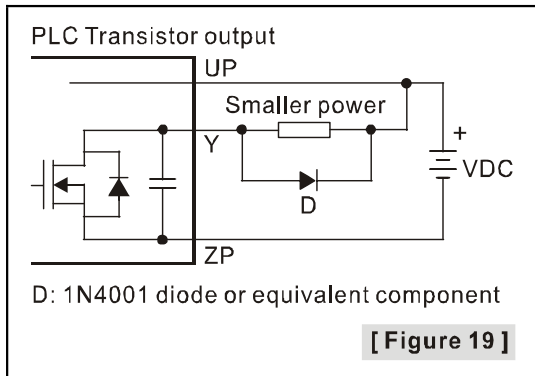
NPN type2: DVP40/60EH2



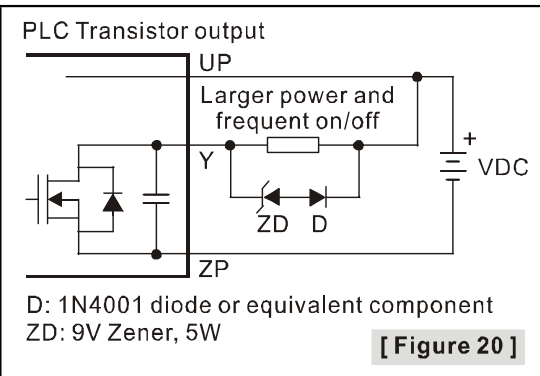
[ Figure 17 ]



[ Figure 18 ]



[ Figure 19 ]



[ Figure 20 ]

- ① DC power supply      ② Emergency stop      ③ Circuit protection fuse

---

- ④ The output of the transistor model is "open collector". If Y0/Y1 is set to pulse output, the output current has to be bigger than 0.1A to ensure normal operation of the model.
  - 1. Diode suppression: Used when in smaller power (Figure 19)
  - 2. Diode + Zener suppression: Used when in larger power and frequent On/Off (Figure 20)

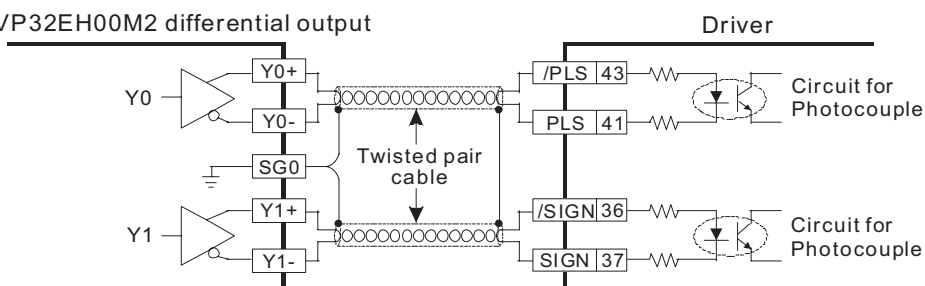
---

- ⑤ Manually exclusive output: For example, Y10 and Y11 control the forward running and reverse running of the motor, forming an interlock for the external circuit, together with the PLC internal program, to ensure safe protection in case of any unexpected errors.

### ◆ Wiring of Differential Output

• DVP32EH00M2 differential output with ASDA-A & A+, ASDA-A2 series driver

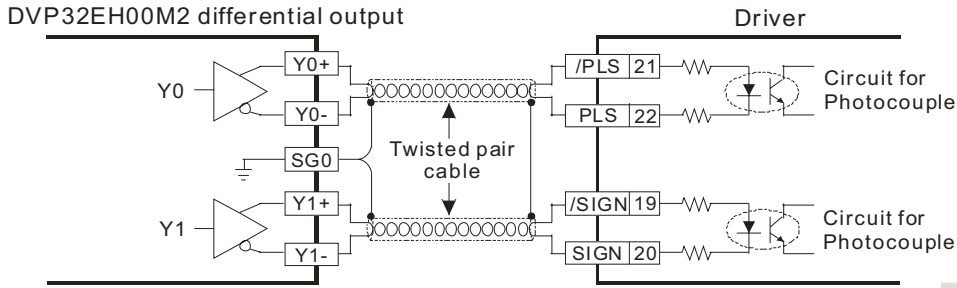
DVP32EH00M2 differential output



[ Figure 21 ]

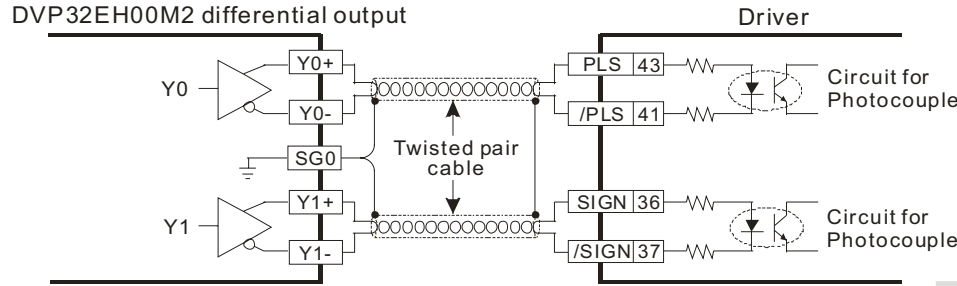


• DVP32EH00M2 differential output with ASDA-B series driver



[ Figure 22 ]

• DVP32EH00M2 differential output with ASDA-AB series driver



[ Figure 23 ]

■ **BAT.LOW indicator**

BAT.LOW indicator will be on when the battery is in low voltage. When this happens, change the battery as soon as possible in case your program and data saved in the latched area will be lost.

After the power is switched off, the data in the latched area are stored in SRAM memory and its power is supplied by the battery. Therefore, when the battery is in low voltage and the power-off has been lasted for more than 1 minute, the data in the latched area will be lost. If you need to permanently save the data in the latched area in the program and device D, refer to “Flash ROM permanently saved and recover mechanism” as stated below.

**Permanently saved mechanism**

You can use WPLSoft (Options -> PLC<=>Flash) to indicate whether to permanently store the data in the latched area in Flash ROM memory (new indicated data will replace all data previously saved in the memory).

**Recover mechanism**

If the battery is in low voltage (before the power is switched off when the BAT.LOW indicator is on) and the power is off for more than 1 minute, PLC will automatically restore the data in the latched area in the program and device D of Flash ROM into SRAM memory next time when it is re-powered.

◆ **Battery Life**

Temperature (°C)	0	25	50	70
Life (year)	9	8	6	5

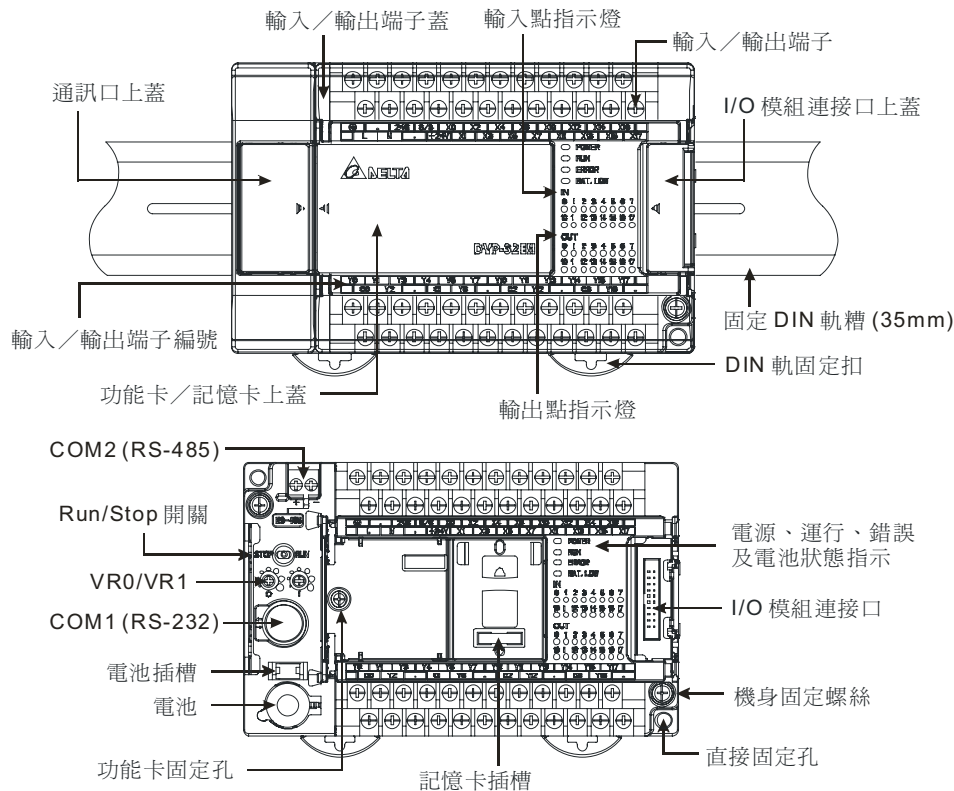
■ **Accuracy (month/second) of RTC**

Temperature (°C/°F)	0/32	25/77	55/131
Max. inaccuracy (second)	-117	52	-132

■ 繁體中文 ■

- ✘ 本使用說明書僅提供電氣規格、功能規格、安裝配線部份說明，其它詳細之程式設計及指令說明請見 DVP-PLC 應用技術手冊【程式篇】，選購之週邊裝置詳細說明請見該產品隨機手冊或 DVP-PLC 應用技術手冊【特殊模組篇】。
- ✘ 本機為開放型 (OPEN TYPE) 機殼，因此使用者使用本機時，必須將之安裝於具防塵、防潮及免於電擊/衝擊意外之外殼配線箱內。另必須具備保護措施（如：特殊之工具或鑰匙才可打開）防止非維護人員操作或意外衝擊本體，造成危險及損壞。
- ✘ 交流輸入電源不可連接於輸入/出信號端，否則可能造成嚴重損壞，請在上電之前再次確認電源配線。請勿在上電時觸摸任何端子。本體上之接地端子 (⊕) 務必正確的接地，可提高產品抗雜訊能力。

## ■ 產品外觀尺寸與部位介紹



- 詳細尺寸圖表請參閱英文版頁碼 1 之[Figure 3]，單位：mm。

## ■ 電氣規格

機種	16EH	20EH	32EH	32EH	40EH	48EH	60EH	64EH	80EH
項目	00□2	00□2	00□2	00M2	00□2	00□2	00□2	00□2	00□2
電源電壓	100 ~ 240VAC (-15% ~ 10%); 50/60Hz ± 5%								
電源保險絲容量	2A/250VAC								
消耗功率	50VA		60VA			80VA			
DC24V 電流輸出	500mA								
電源保護	DC24V 輸出具短路保護								
突波電壓耐受量	1,500VAC (Primary-secondary), 1,500VAC (Primary-PE), 500VAC (Secondary-PE)								
絕緣阻抗	5MΩ 以上 (所有輸出/入點對地之間 500VDC)								
雜訊免疫力	ESD: 8KV Air Discharge EFT: Power Line: 2KV, Digital I/O: 1KV, Analog & Communication I/O: 250V Damped-Oscillatory Wave: Power Line: 1KV, Digital I/O: 1KV, RS: 26MHz ~ 1GHz, 10V/m								

機種	16EH	20EH	32EH	32EH	40EH	48EH	60EH	64EH	80EH
項目	00□2	00□2	00□2	00M2	00□2	00□2	00□2	00□2	00□2
接地	接地配線之線徑不得小於電源端 L, N 之線徑 (多台 PLC 同時使用時, 請務必單點接地)								
操作/儲存環境	操作: 0°C ~55°C (溫度), 50 ~ 95% (濕度), 污染等級 2 儲存: -25°C ~70°C (溫度), 5 ~ 95% (濕度)								
耐振動/衝擊	國際標準規範 IEC61131-2, IEC 68-2-6 (TEST Fc)/ IEC61131-2 & IEC 68-2-27 (TEST Ea)								
重量 (g)	R: 500 T: 480	R: 520 T: 500	R: 652 T: 612	644	R: 710 T: 675	R: 748 T: 688	742	R: 836 T: 756	R: 948 T: 848

輸入點規格					
項目	規格	雙端差動輸入 (200kHz)	24VDC 單端共點輸入		
			200kHz	20kHz	10kHz
輸入接線型式		獨立接線	由端子 S/S 變換接線為 SINK 或 SOURCE		
輸入動作指示		LED 顯示; 燈亮表示為 ON, 不亮表示為 OFF			
輸入信號電壓(±10%)		5~24VDC	24VDC		
輸入點配置		#1	#2	#3	#4
輸入阻抗		4.7K Ohm	4.7K Ohm	3.3K Ohm	4.7K Ohm
動作位准	Off→On	> 1mA (5V)	> 4mA (16.5V)	> 6mA (18.5V)	> 4mA (16.5V)
	On→Off	< 0.4mA (2V)	< 1.5mA (8V)	< 2.2mA (8V)	< 1.5mA (8V)
反應時間 雜訊抑制 #5	Off→On	< 150ns	< 150ns	< 3.5μs	< 8μs
	On→Off	< 3μs	< 3μs	< 20μs	< 60μs
<p>#1: DVP32EH00M2 雙端差動輸入點 X0, X1, X4, X5 頻率可為 200kHz。</p> <p>#2: 輸入點 X0, X1, X4, X5 之頻率可為 200kHz; DVP40/60EH2 輸入點 X10, X11, X14, X15 之頻率可為 200kHz。</p> <p>#3: 輸入點 X10, X11, X14, X15 之頻寬為 20kHz (DVP40/60EH2 除外)。</p> <p>#4: 除上述說明高速輸入點之外, 其餘輸入為 10kHz。</p> <p>#5: 輸入點 X0~X17 可作 10~60ms 數位濾波調整。</p>					

輸出點規格					
項目	規格	雙端差動輸出 #1	單端共點電晶體輸出		單端共點繼電器輸出
			低速	高速 #2	
最高交換(工作)頻率		200kHz	10kHz	200kHz	負載 ON/OFF 控制使用
輸出動作指示		LED 顯示, 燈亮表示為'ON', 不亮表示為'OFF'			
最小負載			-		2mA/DC 電源
工作電壓		5VDC	5 ~ 30VDC		< 250VAC, 30VDC
隔離方式		驅動級電源隔離	光耦合隔離		電磁性隔離
電流規格	電阻性	< 25mA	0.5A/1 點 (4A/COM)		2A/1 點 (5A/COM)
	電感性	-	12W (24VDC)		#3
	燈泡	-	2W(24VDC)		20WDC/100WAC
最大輸出 延遲時間	Off→On	0.2μs	20μs	0.2μs	10ms
	On→Off		30μs		
輸出過電流保護		N/A			
<p>#1: DVP32EH00M2 支援雙端差動輸出(Y0~Y3)。</p> <p>#2: DVP20/32EH2 支援高速輸出點(Y0,Y2); DVP40EH2 支援高速輸出點(Y0~Y3,Y4,Y6); DVP60EH2 支援高速輸出點(Y0~Y3); 其他 EH2 機種只支援低速輸出。</p> <p>#3: 生命週期曲線圖請參閱英文版[Figure 4]。</p>					

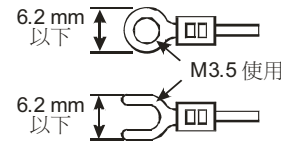
## ■ 安裝方式

PLC 在安裝時，請裝配於封閉式之控制箱內，其周圍應保持一定之空間，以確保 PLC 散熱功能正常，請參閱英文版頁碼 3 之配置示意圖。

- 直接鎖鏢絲方式：請依產品外型尺寸並使用 M4 鏢絲。
- DIN 鋁軌之安裝方法：適用於 35mm 之 DIN 鋁軌。在將主機掛上鋁軌時，請先將主機（或 I/O 模組）下方之固定塑膠片，以一字形起子插入凹槽並向外撐開拉出（請參閱英文版頁碼 3 之圖示），再將主機（或 I/O 模組）掛上鋁軌，之後將固定塑膠片壓扣回去即可。欲取下主機時，同樣以一字形起子先將固定塑膠片撐開，再將主機以往外向上的方式取出即可。該固定機構塑膠片為保持型，因此撐開後便不會彈回去。

## ■ 配線端子

1. 輸出/入配線端請使用 O 型或 Y 型端子，端子規格如左所示。PLC 端子鏢絲扭力為 9.50 kg-cm (8.25 in-lbs)。只能使用 60/75°C 的銅導線。
2. 空端子請勿配線。輸入點信號線與輸出點等動力線請勿置於同一線槽內。
3. 鎖鏢絲及配線時請避免微小的金屬導體掉入 PLC 內部，並在配線完成後，將位於 PLC 上方散熱孔位置的防異物掉入之貼紙撕去，以保持散熱良好。



## ◆ 電源端

DVP-EH2 系列 PLC 電源輸入為交流輸入，在使用上應注意下列事項：

1. 交流電源輸入電壓，範圍寬廣( 100 ~ 240VAC )，電源請接於 L、N 兩端，如果將 AC110V 或 AC220V 接至+24V 端或輸入點端，將造成 PLC 嚴重損壞，請使用者特別注意。
2. 主機及 I/O 模組之交流電源輸入請同時作 On 或 Off 的動作。
3. 主機之接地端使用 1.6mm 以上之電線接地。
4. 當停電時間低於 10ms 時，PLC 不受影響繼續運轉，當停電時間過長或電源電壓下降將使 PLC 停止運轉，輸出全部 Off，當電源恢復正常時，PLC 亦自動回復運轉。（PLC 內部具有停電保持的輔助繼電器及暫存器，使用者在作程式設計規劃時應特別注意使用。）
5. +24V 電源供應輸出端，最大為 0.5A，請勿將其他的外部電源連接至此端子。每個輸入點驅動電流必須 6 ~ 7mA，若以 16 點輸入計算，大約需 100mA，因此+24V 輸出給外部負載不可大於 400mA。

## ◆ 安全配線回路

由於 PLC 控制許多裝置，任一裝置的動作可能都會影響其它裝置的動作。因此任一裝置的故障都可能造成整個自動控制系統失控，甚至造成危險。所以在電源端輸入回路，建議的保護回路配置圖請參閱英文版頁碼 4 之[Figure 5]所示：

- |   |                |
|---|----------------|
| ① 交流電源供應：100 ~ 240VAC, 50/60Hz            | ② 斷路器          |
| ③ 緊急停止：為預防突發狀況發生，設置緊急停止按鈕，可在狀況發生時，切斷系統電源。 |                |
| ④ 電源指示燈                                   | ⑤ 交流電源負載       |
| ⑥ 電源回路保護用保險絲（2A）                          | ⑦ DVP PLC 主機本體 |
| ⑧ 直流電源供應輸出：24VDC，500mA                    |                |

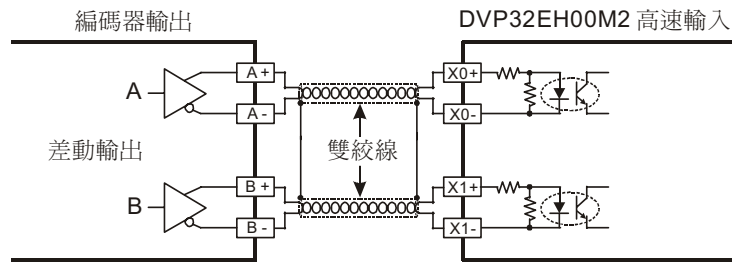
## ◆ 輸入點之配線

輸入點之入力信號為直流電源 DC 輸入，DC 型式共有兩種接法：SINK 及 SOURCE，其定義與輸入點回路等效電路配線圖，請參閱英文版頁碼 5 之[Figure 6]及[Figure 7]。

## ◆ 差動輸入之配線

DVP32EH00M2 之 X0 ~ X1 及 X4 ~ X5 均為 DC5~24V 高速輸入電路（其餘則為 DC24V 輸入）。此高速輸入電路工作頻率可達 200kHz，主要係用以連接差動（雙線式）LINE DRIVER 輸出電路用。

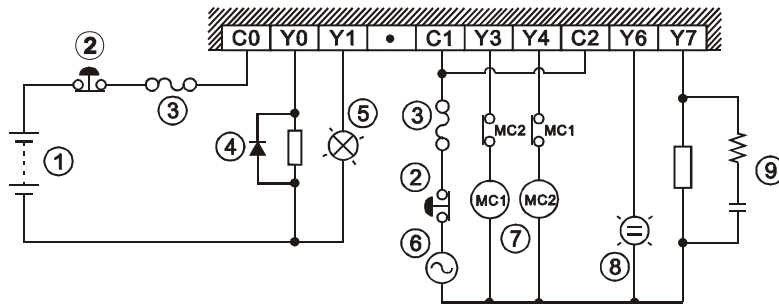
- 差動輸入之接線圖（高速、高雜訊時使用）



在雜訊較低且頻率小於 50kHz 之環境下，使用 DC5V/ DC24V 單端之 SINK/SOURCE 輸入，詳細接線圖請參閱英文版頁碼 5 之[Figure 9]及[Figure 10]。

## ◆ 輸出點之配線

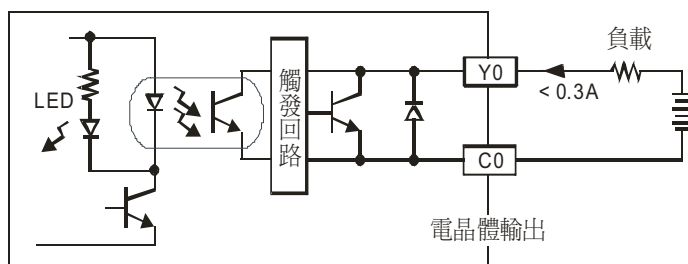
- 繼電器輸出回路配線



- |   |               |
|---|---------------|
| ① 直流電源供給  | ② 緊急停止：使用外部開關 |
| ③ 保險絲：使用 5 ~ 10A 的保險絲容量於輸出接點的共用點，保護輸出點回路  |               |
| ④ 突波吸收二極體：可增加接點壽命。  |               |
| 1. DC 負載電源之二極體抑制：功率較小時使用（請參閱英文版頁碼 6 之[Figure 12]）                                 |               |
| 2. DC 負載電源之二極體+Zener 抑制：大功率且 On/Off 頻繁時使用（請參閱英文版頁碼 6 之[Figure 13]）                |               |
| ⑤ 白熾燈（電阻性負載）  | ⑥ 交流電源供給      |
| ⑦ 互斥輸出：例如，將 Y3 與 Y4 用以控制對應馬達的正轉及反轉，使外部電路形成互鎖，配合 PLC 內部程式，確保任何異常突發狀況發生時，均有安全的保護措施。 |               |
| ⑧ 指示燈：氖燈  |               |
| ⑨ 突波吸收器：可減少交流負載上的雜訊（請參閱英文版頁碼 6 之[Figure 14]）                                      |               |

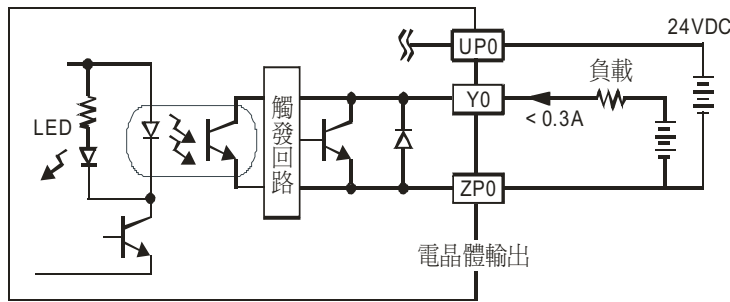
- 電晶體輸出回路配線

NPN 型式 1：DVP16/20/32/48/64/80EH2



詳細配線圖請參閱英文版頁碼 7 之[Figure 16]。

NPN 型式 2 : DVP40/60EH2



詳細配線圖請參閱英文版頁碼 7 之[Figure 18]。

- |          |        |              |
|----------|--------|--------------|
| ① 直流電源供應 | ② 緊急停止 | ③ 電路回路保護用保險絲 |
|----------|--------|--------------|
- ④ 因電晶體模組輸出均為開集極輸出 (Open Collector)，若 Y0/Y1 設定為脈波串輸出，為確保電晶體模組能夠動作正常，其輸出提升電阻，必須維持輸出電流大於 0.1A。
- 二極體抑制：功率較小時使用（請參閱英文版頁碼 7 之[Figure 19]）
  - 二極體+Zener 抑制：大功率且 On/Off 頻繁時使用（請參閱英文版頁碼 7 之[Figure 20]）
- ⑤ 互斥輸出：例如，將 Y10 與 Y11 用以控制對應馬達的正轉及反轉，使外部電路形成互鎖，配合 PLC 內部程式，確保任何異常突發狀況發生時，均有安全的保護措施。

### ◆ 差動輸出之配線

- DVP32EH00M2 差動輸出與 ASDA-A & A+、ASDA-A2 系列驅動器  
詳細配線圖請參閱英文版頁碼 7 之[Figure 21]。
- DVP32EH00M2 差動輸出與 ASDA-B 系列驅動器  
詳細配線圖請參閱英文版頁碼 8 之[Figure 22]。
- DVP32EH00M2 差動輸出與 ASDA-AB 系列驅動器  
詳細配線圖請參閱英文版頁碼 8 之[Figure 23]。

## ■ 電池 BAT.LOW 指示燈

當電池電壓過低使 BAT.LOW 指示燈亮起時，請儘速更換電池以避免使用者程式及停電保持資料消失。在電源下電後，停電保持區域的資料皆存放於 SRAM 記憶體中，此時由電池提供維持 SRAM 內資料的電源，故當電池電力不足且下電後達 1 分鐘以上時，其程式區與停電保持區之資料將會消失。因此，若程式設計者需將程式區與 D 裝置停電保持區做永久保存時，請參照下述 Flash ROM 永久保持與回復機制。

永久保持機制：

程式設計者可使用 WPLSoft 軟體提供之設定選項（”設定”--> “PLC<=>Flash”）來指定程式區及 D 裝置停電保持區的資料是否永久保持至 Flash ROM 記憶體中。每次指定後之資料將會覆蓋掉前次存於 Flash ROM 內的所有資料。

回復機制：

當電池電力不足（即電源下電前電池低電壓燈亮），且電源下電達 1 分鐘以上時，則 PLC 內部會在下次電源上電時，自動將 Flash ROM 內之程式區與 D 裝置停電保持區的資料，全部回存至 SRAM 記憶體中。

### ◆ 電池壽命

溫度 (°C)	0	25	50	70
壽命 (年)	9	8	6	5

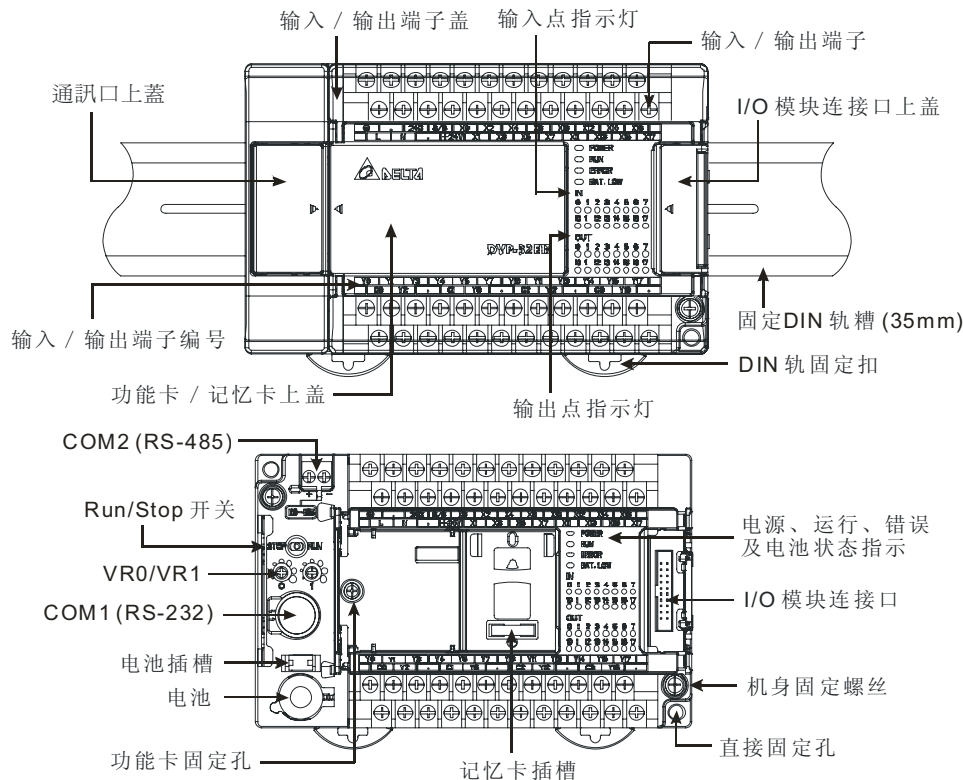
## ■ 萬年曆的精度 (月/秒)

溫度 (°C/°F)	0/32	25/77	55/131
最大誤差 (秒)	-117	52	-132

■ 简体中文 ■

- ✎ 本使用说明书仅提供电气规格、功能规格、安装配线部份说明，其它详细的程序设计及指令说明请见 DVP-PLC 应用技术手册【程序篇】，选购外围装置详细说明请见该产品随机手册或 DVP-PLC 应用技术手册【特殊模块篇】。
- ✎ 本机为开放型 (OPEN TYPE) 机种，因此使用者使用本机时，必须将的安装于具防尘、防潮及免于电击/冲击意外的外壳配线箱内。另必须具备保护措施（如：特殊的工具或钥匙才可打开）防止非维护人员操作或意外冲击本体，造成危险及损坏。
- ✎ 交流输入电源不可连接于输入/出信号端，否则可能造成严重损坏，请在上电的前再次确认电源配线。请勿在上电时触摸任何端子。本体上的接地端子 ⊕ 务必正确的接地，可提高产品抗干扰能力。

## ■ 产品外观尺寸与部位介绍



- 详细尺寸图请参阅英文版页码 1 之[Figure 3]，单位：mm。

## ■ 电气规格

机种	16EH	20EH	32EH	32EH	40EH	48EH	60EH	64EH	80EH
项目	00□2	00□2	00□2	00M2	00□2	00□2	00□2	00□2	00□2
电源电压	100 ~ 240VAC (-15% ~ 10%); 50/60Hz ± 5%								
电源保险丝容量	2A/250VAC								
消耗功率	50VA		60VA			80VA			
DC24V 电流输出	500mA								
电源保护	DC24V 输出具短路保护								
突波电压承受量	1,500VAC (Primary-secondary), 1,500VAC (Primary-PE), 500VAC (Secondary-PE)								
绝缘阻抗	5MΩ 以上 (所有输出/入点对地之间 500VDC)								
干扰免疫力	ESD: 8KV Air Discharge EFT: Power Line: 2KV, Digital I/O: 1KV, Analog & Communication I/O: 250V Damped-Oscillatory Wave: Power Line: 1KV, Digital I/O: 1KV, RS: 26MHz ~ 1GHz, 10V/m								

项目 \ 机种	16EH	20EH	32EH	32EH	40EH	48EH	60EH	64EH	80EH
	00□2	00□2	00□2	00M2	00□2	00□2	00□2	00□2	00□2
接地	接地配线的线径不得小于电源端 L, N 的线径 (多台 PLC 同时使用时, 请务必单点接地)								
操作/储存环境	操作: 0°C ~55°C (温度), 50 ~ 95% (湿度), 污染等级 2 储存: -25°C ~70°C (温度), 5 ~ 95% (湿度)								
耐振动/冲击	国际标准规范 IEC61131-2, IEC 68-2-6 (TEST Fc)/ IEC61131-2 & IEC 68-2-27 (TEST Ea)								
重量 (g)	R: 500 T: 480	R: 520 T: 500	R: 652 T: 612	644	R: 710 T: 675	R: 748 T: 688	742	R: 836 T: 756	R: 948 T: 848

输入点规格				
项目 \ 规格	双端差动输入 (200kHz)	24VDC 单端共点输入		
		200kHz	20kHz	10kHz
输入接线型式	独立接线	由端子 S/S 变换接线为漏型或源型		
输入动作指示	LED 显示; 灯亮表示为 ON, 不亮表示为 OFF			
输入信号电压(±10%)	5~24VDC	24VDC		
输入点配置	#1	#2	#3	#4
输入阻抗	4.7K Ohm	4.7K Ohm	3.3K Ohm	4.7K Ohm
动作 临界点	Off→On	> 1mA (5V)	> 4mA (16.5V)	> 6mA (18.5V)
	On→Off	< 0.4mA (2V)	< 1.5mA (8V)	< 2.2mA (8V)
反应时间	Off→On	< 150ns	< 150ns	< 3.5μs
干扰抑制 #5	On→Off	< 3μs	< 3μs	< 20μs
				< 60μs
<p>#1: DVP32EH00M2 双端差动输入点 X0, X1, X4, X5 频率可为 200kHz。</p> <p>#2: 输入点 X0, X1, X4, X5 的频率可为 200kHz; DVP40/60EH2 输入点 X10, X11, X14, X15 的频率可为 200kHz。</p> <p>#3: 输入点 X10, X11, X14, X15 的频宽为 20kHz (DVP40/60EH2 除外)。</p> <p>#4: 除上述说明高速输入点之外, 其余输入为 10kHz。</p> <p>#5: 输入点 X0~X17 可作 10~60ms 数字滤波调整。</p>				

输出点规格				
项目 \ 规格	双端差动输出 #1	单端共点晶体管输出		单端共点继电器输出
		低速	高速 #2	
最高交换(工作)频率	200kHz	10kHz	200kHz	负载 ON/OFF 控制使用
输出动作指示	LED 显示, 灯亮表示为'ON', 不亮表示为'OFF'			
最小负载	-		2mA/DC 电源	
工作电压	5VDC	5 ~ 30VDC		<250VAC, 30VDC
隔离方式	驱动级电源隔离	光耦合隔离		电磁性隔离
电流规格	电阻性	< 25mA	0.5A/1 点 (4A/COM)	
	电感性	-	12W (24VDC)	
	灯泡	-	2W(24VDC)	
最大输出 延迟时间	Off→On	0.2μs	20μs	0.2μs
	On→Off		30μs	
输出过电流保护	N/A			
<p>#1: DVP32EH00M2 支持双端差动输出(Y0~Y3)。</p> <p>#2: DVP20/32EH2 支持高速输出点(Y0,Y2); DVP40EH2 支持高速输出点(Y0~Y3,Y4,Y6); DVP60EH2 支持高速输出点(Y0~Y3); 其它 EH2 机种只支持低速输出。</p> <p>#3: 生命周期曲线图请参阅英文版[Figure 4]。</p>				



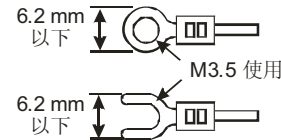
## ■ 安装方式

PLC 在安装时，请装配于封闭式的控制箱内，其周围应保持一定的空间，以确保 PLC 散热功能正常，请参阅英文版页码 3 的配置示意图。

- 直接锁螺丝方式：请依产品外型尺寸并使用 M4 螺丝。
- DIN 铝轨的安装方法：适用于 35mm 的 DIN 铝轨。在将主机挂上铝轨时，请先将主机（或 I/O 模块）下方的固定塑料片，以一字形起子插入凹槽并向外撑开拉出（请参阅英文版页码 3 的图示），再将主机（或 I/O 模块）挂上铝轨，之后将固定塑料片压扣回去即可。欲取下主机时，同样以一字形起子先将固定塑料片撑开，再将主机以往外向上的方式取出即可。该固定机构塑料片为保持型，因此撑开后便不会弹回去。

## ■ 配线端子

1. 输出/入配线端请使用 O 型或 Y 型端子，端子规格如左所示。PLC 端子螺丝扭力为 9.50 kg-cm (8.25 in-lbs)。只能使用 60/75°C 的铜导线。
2. 空端子请勿配线。输入点信号线与输出点等动力线请勿置于同一线槽内。
3. 锁螺丝及配线时请避免微小的金属导体掉入 PLC 内部，并在配线完成后，将位于 PLC 上方散热孔位置的防异物掉入的贴纸撕去，以保持散热良好。



## ◆ 电源端

DVP-EH2 系列 PLC 电源输入为交流输入，在使用上应注意下列事项：

1. 交流电源输入电压，范围大小(100 ~ 240VAC)，电源请接于 L、N 两端，如果将 AC110V 或 AC220V 接至+24V 端或输入点端，将造成 PLC 严重损坏，请使用者特别注意。
2. 主机及 I/O 模块的交流电源输入请同时作 On 或 Off 的动作。
3. 主机的接地端使用 1.6mm 以上的电线接地。
4. 当停电时间低于 10ms 时，PLC 不受影响继续运转，当停电时间过长或电源电压下降将使 PLC 停止运转，输出全部 Off，当电源恢复正常时，PLC 亦自动回复运转。（PLC 内部具有停电保持的辅助继电器及缓存器，使用者在作程序设计规划时应特别注意使用。）
5. +24V 电源供应输出端，最大为 0.5A，请勿将其它的外部电源连接至此端子。每个输入点驱动电流必须 5 ~ 7mA，若以 16 点输入计算，大约需 100mA，因此+24V 输出给外部负载不可大于 400mA。

## ◆ 安全配线回路

由于 PLC 控制许多装置，任一装置的动作可能都会影响其它装置的动作。因此任一装置的故障都可能会造成整个自动控制系统失控，甚至造成危险。所以在电源端输入回路，建议的保护回路配置图请参阅英文版页码 4 的[Figure 5]所示：

① 交流供应电源：100 ~ 240VAC, 50/60Hz	② 断路器
③ 紧急停止：为预防突发状况发生，设置紧急停止按钮，可在状况发生时，切断系统电源。	
④ 电源指示灯	⑤ 交流电源负载
⑥ 电源回路保护用保险丝（2A）	⑦ DVP PLC 主机本体
⑧ 直流供应电源输出：24VDC, 500mA	

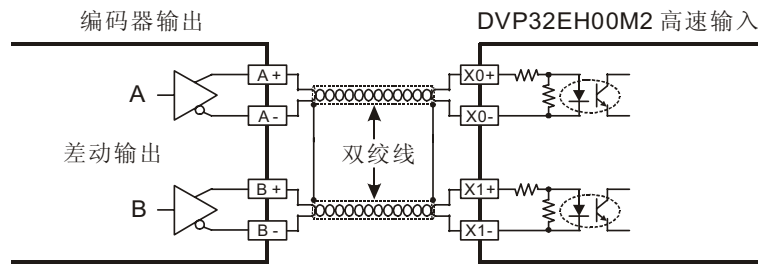
## ◆ 输入点的配线

输入点的接入信号为直流电源 DC 输入，DC 型式共有两种接法：漏型及源型，其定义与输入点回路等效电路配线图，请参阅英文版页码 5 的[Figure 6]及[Figure 7]。

## ◆ 差动输入的配线

DVP32EH00M2 的 X0 ~ X1 及 X4 ~ X5 均为 DC5~24V 高速输入电路（其余则为 DC24V 输入）。此高速输入电路工作频率可达 200kHz，主要系用以连接差动（双线式）LINE DRIVER 输出电路用。

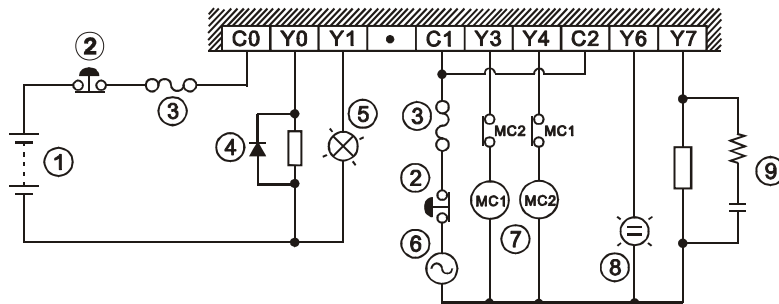
- 差动输入之接线图（高速、高干扰时使用）



在干扰较低且频率小于 50kHz 的环境下，使用 DC5V/DC24V 单端的漏型/源型输入。详细接线图请参阅英文版页码 5 的[Figure 9]及[Figure 10]。

## ◆ 输出点的配线

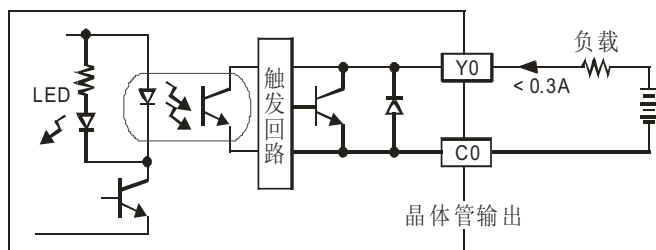
- 继电器输出回路配线



- |   |               |
|---|---------------|
| ① 直流电源供给  | ② 紧急停止：使用外部开关 |
| ③ 保险丝：于输出接点的公共端使用容量 5 ~ 10A 的保险丝，保护输出点回路  |               |
| ④ 突波吸收二极管：可增加接点寿命。  |               |
| 1. DC 负载电源的二极管抑制：功率较小时使用（请参阅英文版页码 6 的[Figure 12]）                                 |               |
| 2. DC 负载电源的二极管+Zener 抑制：大功率及 On/Off 频繁时使用（请参阅英文版页码 6 的[Figure 13]）                |               |
| ⑤ 白炽灯（电阻性负载）  | ⑥ 交流电源供给      |
| ⑦ 互斥输出：例如，将 Y3 与 Y4 用于控制对应马达的正转及反转，使外部电路形成互锁，配合 PLC 内部程序，确保任何异常突发状况发生时，均有安全的保护措施。 |               |
| ⑧ 指示灯：氖灯  |               |
| ⑨ 突波吸收器：可减少交流负载上的干扰（请参阅英文版页码 6 的[Figure 14]）                                      |               |

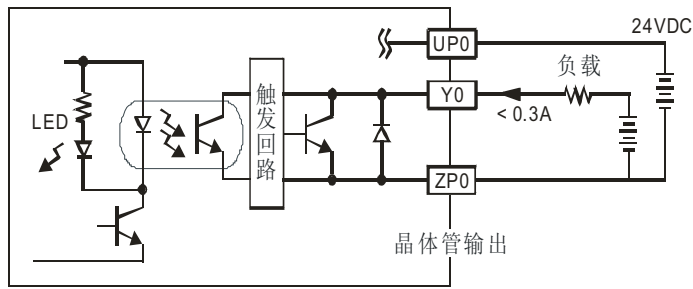
- 晶体管输出回路配线

NPN 型式 1: DVP16/20/32/48/64/80EH2



详细配线图请参阅英文版页码 7 之[Figure 16]。

## NPN 型式 2: DVP40/60EH2



详细配线图请参阅英文版页码 7 之[Figure 18]。

- |          |        |              |
|----------|--------|--------------|
| ① 直流供应电源 | ② 紧急停止 | ③ 电路回路保护用保险丝 |
|----------|--------|--------------|
- ④ 因晶体管模块输出均为开集极输出 (Open Collector), 若 Y0/Y1 设定为脉冲式输出, 为确保晶体管模块能够动作正常, 其输出负载电阻, 必须维持输出电流大于 0.1A。
1. 二极管抑制: 功率较小时使用 (请参阅英文版页码 7 的[Figure 19])
  2. 二极管+Zener 抑制: 大功率及 On/Off 频繁时使用 (请参阅英文版页码 7 的[Figure 20])
- ⑤ 互斥输出: 例如, 将 Y10 与 Y11 用于控制对应马达的正转及反转, 使外部电路形成互锁, 配合 PLC 内部程序, 确保任何异常突发状况发生时, 均有安全的保护措施。

### ◆ 差动输出之配线

- DVP32EH00M2 差动输出与 ASDA-A & A+、ASDA-A2 系列驱动器  
详细配线图请参阅英文版页码 7 的[Figure 21]。
- DVP32EH00M2 差动输出与 ASDA-B 系列驱动器  
详细配线图请参阅英文版页码 8 的[Figure 22]。
- DVP32EH00M2 差动输出与 ASDA-AB 系列驱动器  
详细配线图请参阅英文版页码 8 的[Figure 23]。

## ■ 电池 BAT.LOW 指示灯

当电池电压过低使 BAT.LOW 指示灯将亮起时, 请尽速更换电池以免使用者程序及停电保持数据消失。在电源下电后, 停电保持区域的数据皆存放于 SRAM 内存中, 此时由电池提供维持 SRAM 内资料的电源, 故当电池电力不足且下电后达 1 分钟以上时, 其程序区与停电保持区的数据将会消失。因此, 若程序设计者需将程序区与 D 装置停电保持区做永久保存时, 请参照下述 Flash ROM 永久保持与回复机制。

永久保持机制:

程序设计者可使用 WPLSoft 软件提供的设定选项 (“设定”--> “PLC<=>Flash”) 来指定程序区及 D 装置停电保持区的数据是否永久保持至 Flash ROM 内存中。每次指定后的数据将会覆盖掉前次存于 Flash ROM 内的所有数据。

回复机制:

当电池电力不足 (即电源下电前电池低电压灯亮), 且电源下电达 1 分钟以上时, 则 PLC 内部会在下次电源上电时, 自动将 Flash ROM 内的程序区与 D 装置停电保持区的数据, 全部回存至 SRAM 内存中。

### ◆ 电池寿命

温度 (°C)	0	25	50	70
寿命 (年)	9	8	6	5

## ■ 万年历的精度 (月/秒)

温度 (°C/°F)	0/32	25/77	55/131
最大误差 (秒)	-117	52	-132